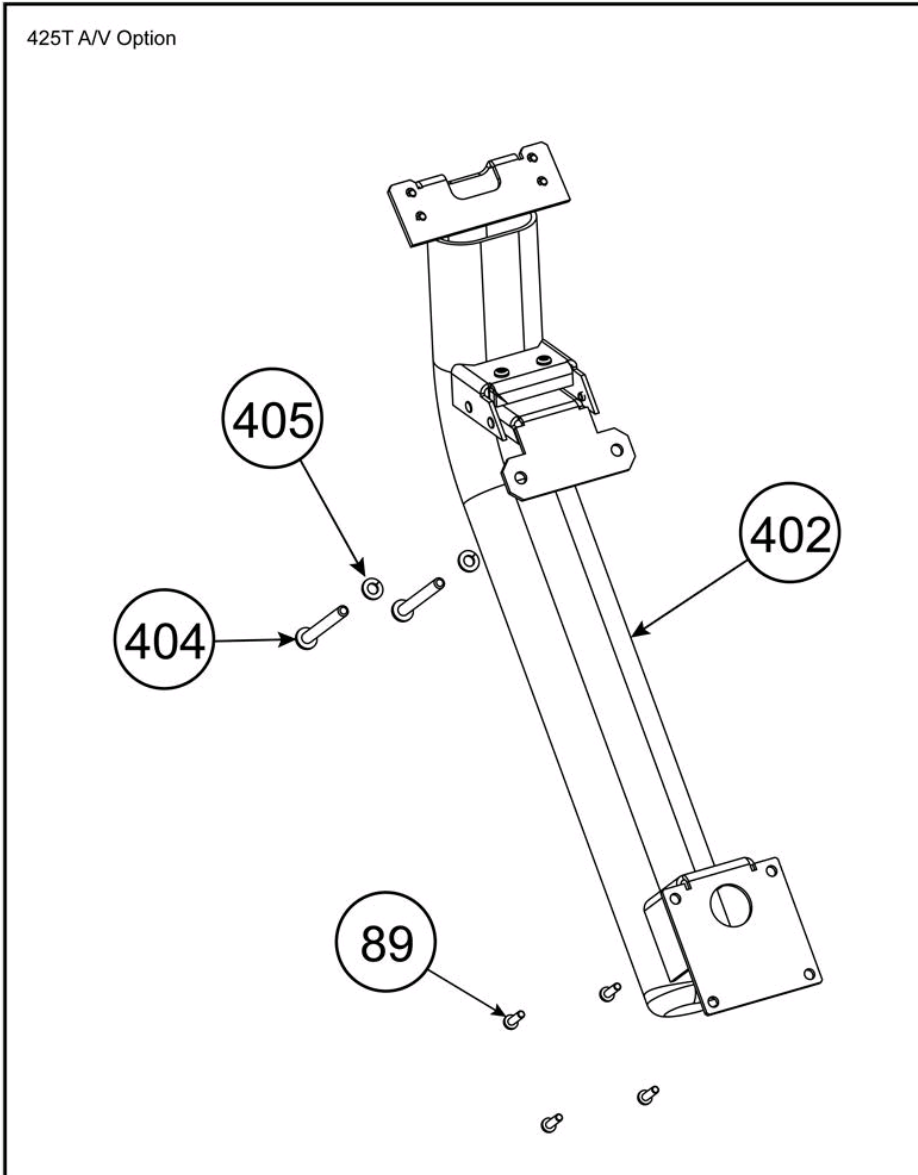




Product Line:

Product:

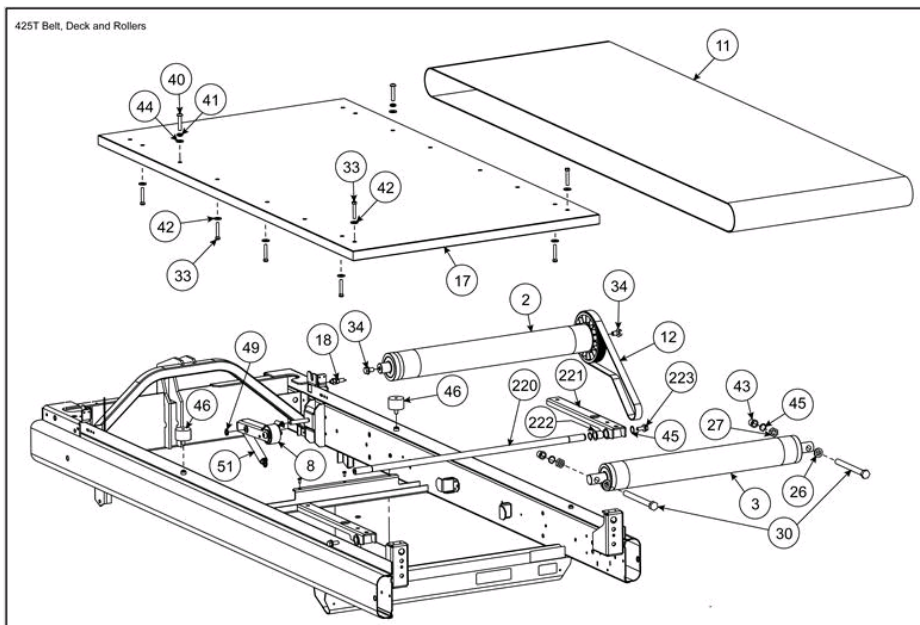
Assembly: [\(Show All\)](#)



Bulb Number	Part Number	Name	Description
89	HS-15732	Screw, SEM 8-32 unc x .62", PNHD phil pl	
402	AF-20683	Assembly, TV Support	
404	HS-19369	Screw, 1/4 - 20 x 1.25, PNHD PHIL, Black Zinc	
405	HW-00180	Washer, Lock Ext., 1/4", Zinc	



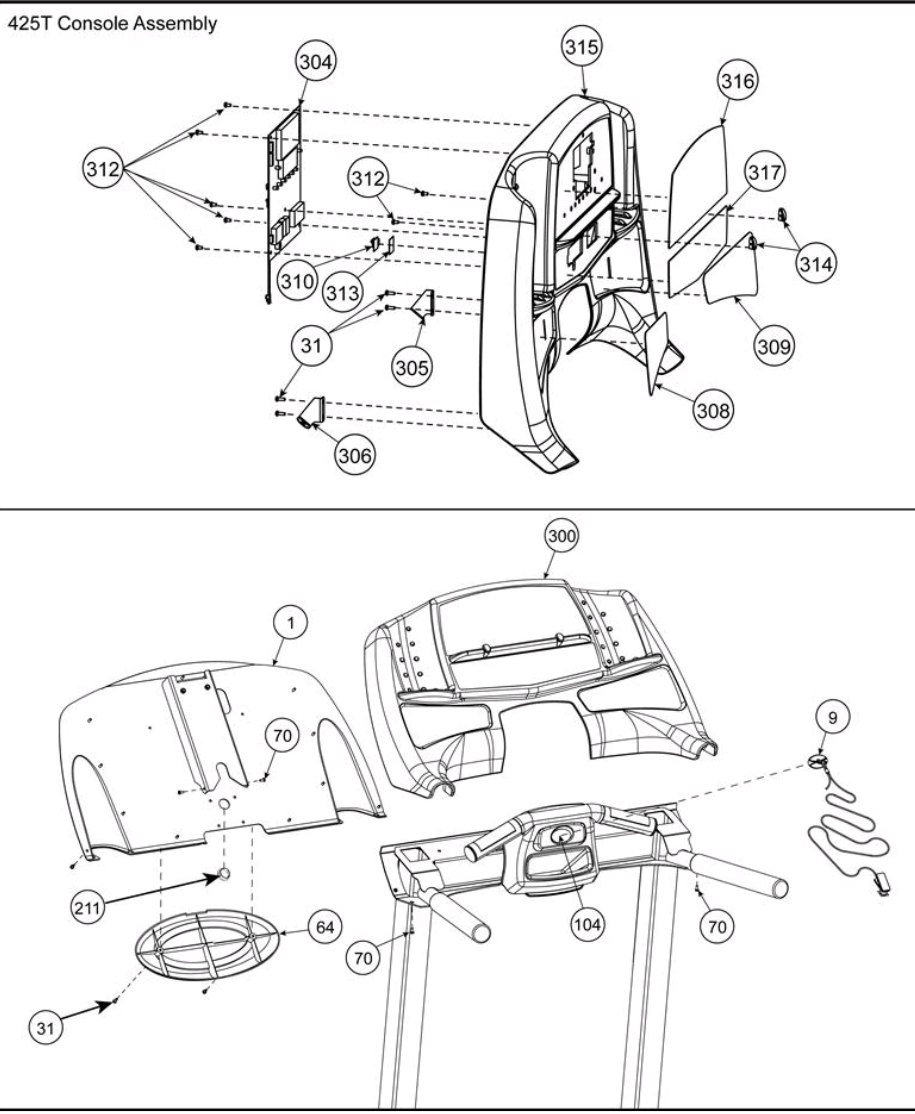
Product Line:
 Product:
 Assembly: (Show All)



Bulb Number	Part Number	Name	Description
2	AL-18945	Front Roller, 3.0" O.D.	
3	AL-18946	Rear Roller, 3.0" O.D.	
8	AX-18729	Assembly, Idler	
11	BD-19642	Belt, Running	
11	BD-20508	Belt, Running, IFI	
12	BD-18917	Belt, Poly-V,320J8	
17	DK-19641	Deck, Running	
17	DK-20498	Deck, Running, IFI, Yellow	
18	EC-18573	Sensor, Speed	
26	HB-16367	Bushing, .50ID x .62OD x .31LG, flanged	
27	HN-10029	Nut, 1/2 - 13 HEX STL ZINC	
30	HS-00261	Bolt, 1/2 - 13 x 5.5, HXHD	
33	HS-16628	Screw, .25-20 x 1.5", Hxhd Grade 8	
34	HS-16929	Screw, 3/8 - 16 x 5/8", Lg H x HD Whiz-lock, GR5	
40	HS-41107	BOLT,5-16-18X1.5,BTHD,SST,BLK	
41	HW-00165	Washer, Lock, Ext., 5/16", Zinc	
42	HW-00180	Washer, Lock Ext., 1/4", Zinc	
43	HW-00590	Bushing Nylon 1/2" NF810-5-0	
44	HW-18123	Washer, .344 I.D. x .75 O.D. x .125 Thick, Black Zinc	
45	HX-13771	Ring, Retain 5/8", .579 Fr.Id	
46	HX-19991	Bumper, Deck, 2.10 X 2.34 X 1.55	
49	HX-19529	GRIP RING RETAINING 3-8 IN	
51	HX-19052	Idler Spring	
220	FM-19513	Shaft, Deck Pivot	
221	AX-20035	Assembly, Deck Pivot Bracket	
222	HB-18768	Bearing, LF-1011-12	
223	HS-19108	SCREW 5-16-18X3-4LG,HXHD	



Product Line:
 Product:
 Assembly: [\(Show All\)](#)



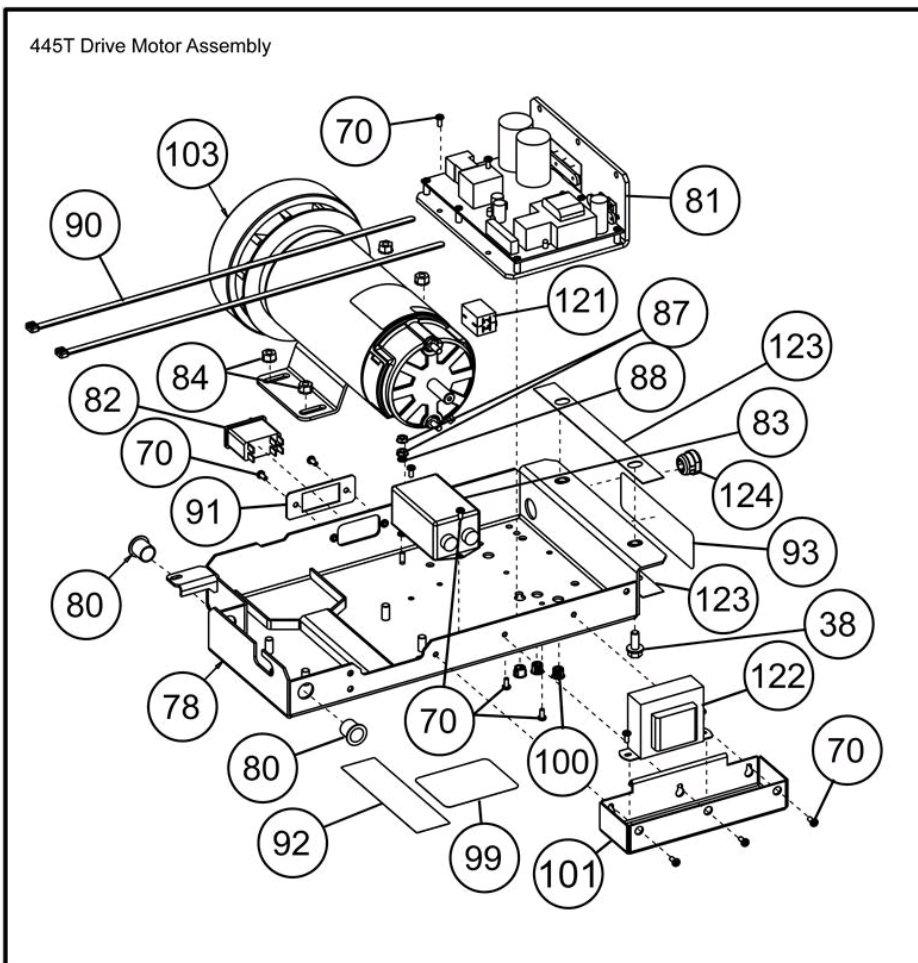
Bulb Number	Part Number	Name	Description
1	AF-18899	Weldment, Console Back Plate	
9	AX-20944	Assembly, E-Stop Lanyard	
31	HS-15706	SCREW, 8-16X.50, PNHD	
64	PL-19061	Cover, Console, Back Trim, 425T	
70	HS-11977	Screw, SEMS, 8/32 x .38, PNHD	
104	DE-20685	Decal, E-stop, Yellow	
211	HX-18287	Plug, Hole, Plastic, 1/8", Black	
300	AC-21249-1	Assembly, 445T Console	GERMAN
300	AC-21249-2	Assembly, 445T Console	FRENCH
300	AC-21249-3	Assembly, 445T Console	SPANISH
300	AC-21249-4	Assembly, 445T Console	ENGLISH
300	AC-21249-6	Assembly, 445T Console	JAPANESE
300	AC-21249-7	Assembly, 445T Console	SWEDISH
300	AC-21249-8	Assembly, 445T Console	RUSSIAN
304	AD-19675-Q	PCA, Display, 445T	
305	AF-19187	Bracket, Console Anchor, Right	
306	AF-19188	Bracket, Console Anchor, Left	
	DE-18556-1	Decal, Warning, Right	GERMAN
	DE-18556-2	Decal, Warning, Right	FRENCH

308	DE-18556-3	Decal, Warning, Right	SPANISH
308	DE-18556-4	Decal, Warning, Right	ENGLISH
308	DE-18556-6	Decal, Warning, Right	JAPANESE
308	DE-18556-7	Decal, Warning, Right	SWEDISH
308	DE-18556-8	Decal, Warning, Right	RUSSIAN
309	DE-18557-1	Decal, Warning, Left	GERMAN
309	DE-18557-2	Decal, Warning, Left	FRENCH
309	DE-18557-3	Decal, Warning, Left	SPANISH
309	DE-18557-4	Decal, Warning, Left	ENGLISH
309	DE-18557-6	Decal, Warning, Left	JAPANESE
309	DE-18557-7	Decal, Warning, Left	SWEDISH
309	DE-18557-8	Decal, Warning, Left	RUSSIAN
310	EC-19236	Sensor, Wireless Heart Rate Receiver	
312	HS-41187	SCREW, SLFTP, 8-16 X .3125", PLASTITE	
313	HX-17788	Tape, Double Sided, .032" Thick	
314	PL-17686	Tab, Book, Holder	
315	PL-18548	Console, Plastic, 425T	
316	SW-21456-1	Membrane, 445T, Top	GERMAN
316	SW-21456-2	Membrane, 445T, Top	FRENCH
316	SW-21456-3	Membrane, 445T, Top	SPANISH
316	SW-21456-4	Membrane, 445T, Top	ENGLISH
316	SW-21456-6	Membrane, 445T, Top	JAPANESE
316	SW-21456-7	Membrane, 445T, Top	SWEDISH
316	SW-21456-8	Membrane, 445T, Top	RUSSIAN
316	SW-20701-4	Membrane, 445T, Top, IFI	
317	SW-21457-1	Membrane, 445T, Bottom	GERMAN
317	SW-21457-2	Membrane, 445T, Bottom	FRENCH
317	SW-21457-3	Membrane, 445T, Bottom	SPANISH
317	SW-21457-4	Membrane, 445T, Bottom	ENGLISH
317	SW-21457-6	Membrane, 445T, Bottom	JAPANESE
317	SW-21457-7	Membrane, 445T, Bottom	SWEDISH
317	SW-21457-8	Membrane, 445T, Bottom	RUSSIAN
317	SW-21458-1	Membrane, 445T, Bottom, A/V	GERMAN
317	SW-21458-2	Membrane, 445T, Bottom, A/V	FRENCH
317	SW-21458-3	Membrane, 445T, Bottom, A/V	SPANISH
317	SW-21458-4	Membrane, 445T, Bottom, A/V	ENGLISH
317	SW-21458-6	Membrane, 445T, Bottom, A/V	JAPANESE
317	SW-21458-7	Membrane, 445T, Bottom, A/V	SWEDISH
317	SW-21458-8	Membrane, 445T, Bottom, A/V	RUSSIAN
317	SW-20700-4	Membrane, 445T, Bottom, IFI	

©Copyright 1998 - 2009, Cybex International, Inc. All rights reserved.



Product Line:
 Product:
 Assembly: [\(Show All\)](#)



Bulb Number	Part Number	Name	Description
38	HS-19108	SCREW 5-16-18X3-4LG,HXHD	
70	HS-11977	Screw, SEMS, 8/32 x .38, PNHD	
78	AF-18481	Weldment, Motor Base	
80	HB-18768	Bearing, LF-1011-12	
81	AD-19085-Q	PCA, Control Board, 115 VAC, 445T	
81	AD-19086-Q	PCA, Control Board, 230 VAC, 445T	
82	SW-19666	Switch, Rocker, Thermal CB, 15 A	
82	SW-19667	Switch, Rocker, Thermal CB, 20 A	
83	EC-18896	Filter, 16 Amp	
83	EC-15783	Filter, 20 Amp	
84	HN-11136	KEPS, 5/16 - 18, HEX STL ZINC	
87	HN-11925	Nut, Keps 10-32 Hex Stl Zinc	
88	HW-10856	Washer, Lock, Ext., No.10, ZN	
90	EH-12260	Wire Tie, Nylon, 18	
91	FS-19668	Plate, Circuit Breaker Mount	
92	DE-20427	Label, Disconnect Power, Multi-languages	
93	DE-19238	Decal, Warning, Motor Plate	
99	DE-19730-1	Decal, IR Comp Adjust*	GERMAN
99	DE-19730-2	Decal, IR Comp Adjust*	FRENCH
99	DE-19730-3	Decal, IR Comp Adjust*	SPANISH
99	DE-19730-4	Decal, IR Comp Adjust*	ENGLISH
99	DE-19730-6	Decal, IR Comp Adjust*	JAPANESE
99	DE-19730-7	Decal, IR Comp Adjust*	SWEDISH
99	DE-19730-8	Decal, IR Comp Adjust*	RUSSIAN

101	AF-19068	Bracket, Power Factor
103	AX-19649	Drive Motor w/ Flywheel, 115V
103	AX-19650	Drive Motor w/ Flywheel, 230V
121	EC-15004	Ferrite, Clamp-on, .40" ID
122	TR-19201	Choke
123	HX-19857	Strip, Motor Base, Isolation
124	EH-19717	Bushing, Strain Relief, .370

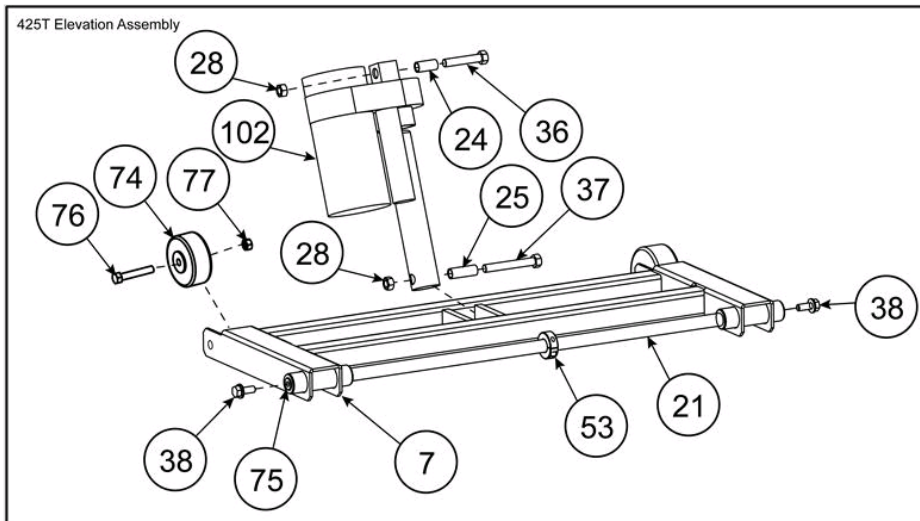
©Copyright 1998 - 2009, Cybex International, Inc. All rights reserved.



Product Line:

Product:

Assembly: [\(Show All\)](#)

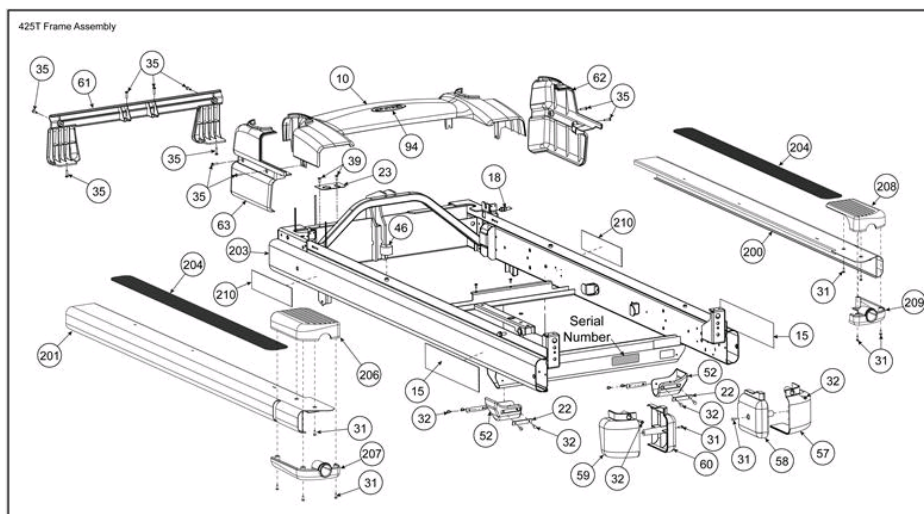


Bulb Number	Part Number	Name	Description
7	AF-18394	Weldment, Elevation	
21	FM-18405	Shaft, Elevation	
24	FT-16825	Sleeve, Elevation Mounting, Top	
25	FT-16826	Sleeve, Elevation Mounting, Bottom	
28	HN-17935	Nut, Lock, 3/8 - 24, GRD C, STL, ZN	
36	HS-17936	Bolt, 3/8 - 24 X 2.0", HXHD CAP, G8, YEL ZN	
37	HS-17937	Bolt, 3/8 - 24 X 2.75", HXHD CAP, G8, YEL ZN	
38	HS-19108	SCREW 5-16-18X3-4LG,HXHD	
53	HX-19384	Coupling, Shaft, DBL Split 5/8	
74	CW-16712	Wheel, Rubber, 3" Dia	
75	HB-18768	Bearing, LF-1011-12	
76	HS-60022	Bolt, Hhcs 0.375 x 2.25 blk zn G5	
77	HN-60064	Nut, Jam 3-8-16 blk zn	
102	MR-18402	Motor, Elevation, 115 VAC	
102	MR-18403	Motor, Elevation, 230 VAC	

©Copyright 1998 - 2009, Cybex International, Inc. All rights reserved.



Product Line:
 Product:
 Assembly: ([Show All](#))

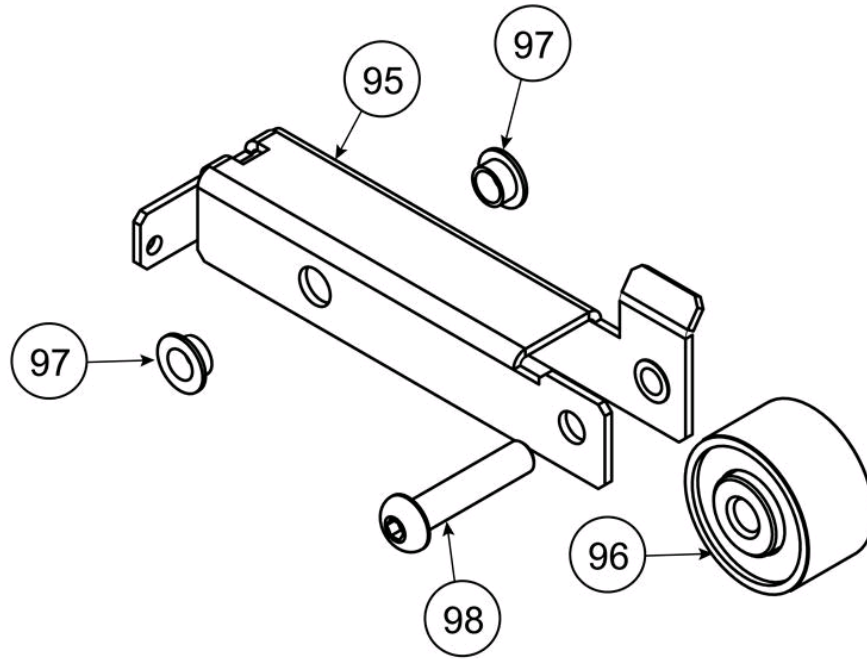


Bulb Number	Part Number	Name	Description
10	AX-19239	Assembly, Motor Cover	
15	DE-19360	Decal, Side Labels, Black	
15	DE-19353	Decal, Side Labels, Silver	
18	EC-18573	Sensor, Speed	
22	FS-16511	Plate, Rear Rubber Foot Mount	
23	FS-19731	Cable, Connector Plate, 445T	
31	HS-15706	SCREW,8-16X.50,PNHD	
32	HS-16509	Screw, #10 x .5LG, T-SPLT, PNHD, TYB-B	
35	HS-16939	Sems, 10-32 X .75, Pnhd, Ext., Black, Zn	
39	HS-41006	SCREW SLFTP,10-24X.5,PNHD	
46	HX-19991	Bumper, Deck, 2.10 X 2.34 X 1.55	
52	HX-19102	Rubber Foot, Rear	
57	PL-18929	Cover, Rear, Outer Right	
58	PL-18930	Cover, Rear, Inner Right	
59	PL-18932	Cover, Rear, Outer Left	
60	PL-18933	Cover, Rear, Inner Left	
61	PL-18990	Cover, Motor, Front, 425T	
62	PL-18991	Cover, Motor, Right, 425T	
63	PL-18992	Cover, Motor Left, 425T	
94	DE-19531	Decal, IS3	
200	AX-18765	Assembly, Top Platform, Right	
201	AX-18764	Assembly, Top Platform, Left	
203	AF-20559	Weldment, Frame, 445T	
204	DE-18766	Decal, Safety Walk	
204	DE-20718	Decal, Safety Walk, IFI	
206	PL-18931	Cover, Rear, Top Left	
207	PL-19120	Cover, Rear, Bottom Left	
208	PL-18928	Cover, Rear, Top Right	
209	PL-19118	Cover, Rear, Bottom Right	
210	DE-19726	Decal, "CX 445T", Black	
210	DE-19727	Decal, "CX 445T", Silver 877	



Product Line:
 Product:
 Assembly: ([Show All](#))

425T Idler Pulley Assembly



Bulb Number	Part Number	Name	Description
95	AF-18728	Bracket, Idler	
96	HB-19135	Idler Wheel, 1.88 x 1.0	
97	HB-18056	Bushing, Flange, .375 x .469 x .25	
98	HS-19338	Screw, 3/8 - 16 x 1.75, SCHD BTN, BLK, ZN	

©Copyright 1998 - 2009, Cybex International, Inc. All rights reserved.



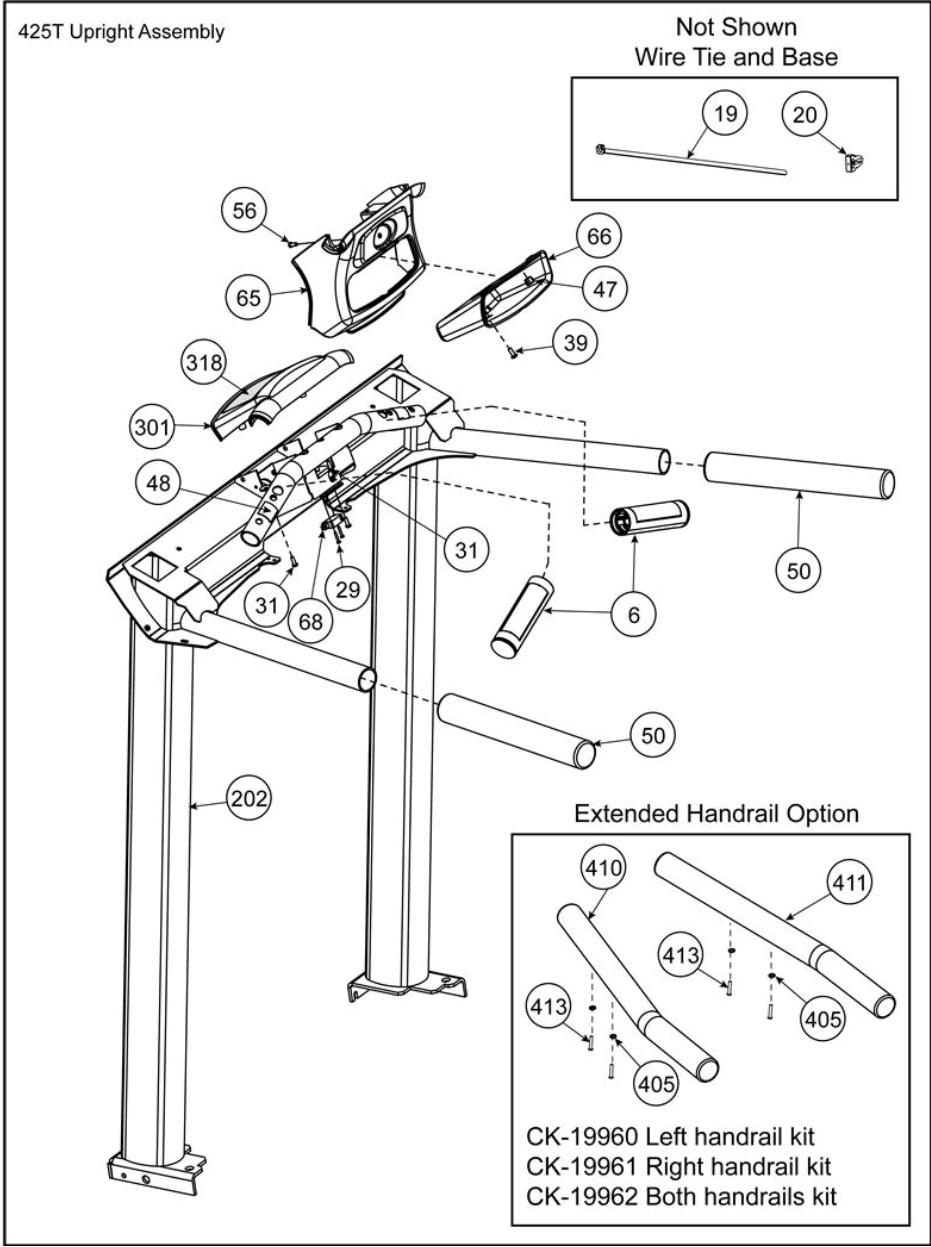
Product Line:	<input type="text" value="Treadmills"/>
Product:	<input type="text" value="445T: CYBEX CX-445T/455T Treadmill"/>
Assembly:	<input type="text" value="Parts not shown"/> (Show All)

Other Parts Not Shown

Bulb Number	Part Number	Name	Description
NS	AF-19068	Bracket, Power Factor	
NS	AW-19117	Cable, 515T / 530T, A/V, I/O	
NS	AW-19679	Cable, Harness, Console	
NS	AW-18256	Cable, Polar Jumper	
NS	AW-18528	Cable, Harness, Frame	
NS	AW-18530	Cable, Filter to Board, Hot, Black	
NS	AW-18531	Cable, Filter to Board, Neutral, White	
NS	AW-18532	Power Cord, 115 VAC	
NS	AW-18533	Power Cord, 230 VAC	
NS	AW-18534	Power Cord, 230 VAC, 50 Hz	
NS	AW-19525	Power Cord, 230 VAC, UK	
NS	AW-18540	Cable, Circuit Breaker to Filter, Hot, Black	
NS	AW-18541	Cable, Circuit Breaker to Filter, Neutral, White	
NS	AW-18574	Cable, Speed Signal	
NS	AW-18973	Cable, Elevation Motor	
NS	AW-19221-Q	Cable, Cardio Touch	
NS	AW-19235	Cable, Control Board, Ground	
NS	AX-19193	Controller Mount	
NS	AX-19354	Kit, Install Hardware	
NS	DE-18413	Decal, ETL	
NS	CN-17687	Adapter, 1/4" Plug to 1/8" Jack	
NS	EH-10291	TY WRAP BASE	
NS	EH-19220	Jacket, Corrugated Tubing, 27 Long	
NS	FS-17698	Clamp, Headphone Adapter	
NS	FS-19190	Controller Mount	
NS	FS-18771	Cover, Lower, Motor Controller	
NS	HS-19108	SCREW 5-16-18X3-4LG,HXHD	
NS	HS-19369	Screw, 1/4 - 20 x 1.25, PNHD PHIL, Black Zinc	
NS	HX-19059	Plug, Tube End, 1.5 O.D.	
NS	LT-03051	SIGN, FACILITY SAFETY	
NS	LT-19801	Warranty Sheet, 445T	
NS	LT-19340	Poster, Installation	
NS	LT-19800-1	Owner's Manual, 445T*	GERMAN
NS	LT-19800-2	Owner's Manual, 445T*	FRENCH
NS	LT-19800-3	Owner's Manual, 445T*	SPANISH
NS	LT-19800-4	Owner's Manual, 445T*	ENGLISH
NS	LT-19800-6	Owner's Manual, 445T*	JAPANESE
NS	LT-19800-7	Owner's Manual, 445T*	SWEDISH
NS	LT-19800-8	Owner's Manual, 445T*	RUSSIAN
NS	SK-18553	Kit Brush, McMillan, 3.0HP, 110V	
NS	SK-18554	Brush Kit, Pair, 110 or 220 VDC, w/spring clips	



Product Line:
 Product:
 Assembly: (Show All)



Bulb Number	Part Number	Name	Description
6	AX-17578	Assy, C-HR Grips, Pair	
19	EH-00986	TY WRAP 9	
20	EH-10291	TY WRAP BASE	
29	HS-00156	Screw, 4-40 x .62, PNHD PHIL	
31	HS-15706	SCREW,8-16X.50,PNHD	
39	HS-41006	SCREW SLFTP,10-24X.5,PNHD	
47	HX-17711	Plug, Hole, Plastic, 7/16, Black	
48	HX-17788	Tape,Double Sided, .032 Thick	
50	HX-18901	Grips, 445T Upright Handrail	
56	PL-18773	Plunger, E-Stop	
65	PL-19093	Cover, Handle Lower	
66	PL-19094	Accessory Tray, Console	
68	SW-18535	Switch, Limit	
202	AF-18486	Weldment, Upright	

301	AX-19356-1	Assembly, Cover, Top CHR	GERMAN
301	AX-19356-2	Assembly, Cover, Top CHR	FRENCH
301	AX-19356-3	Assembly, Cover, Top CHR	SPANISH
301	AX-19356-4	Assembly, Cover, Top CHR	ENGLISH
301	AX-19356-6	Assembly, Cover, Top CHR	JAPANESE
301	AX-19356-7	Assembly, Cover, Top CHR	SWEDISH
301	AX-19356-8	Assembly, Cover, Top CHR	RUSSIAN
318	DE-19189-1	Label, Warning*	GERMAN
318	DE-19189-2	Label, Warning*	FRENCH
318	DE-19189-3	Label, Warning*	SPANISH
318	DE-19189-4	Label, Warning*	ENGLISH
318	DE-19189-6	Label, Warning*	JAPANESE
318	DE-19189-7	Label, Warning*	SWEDISH
318	DE-19189-8	Label, Warning*	RUSSIAN
405	HW-00180	Washer, Lock Ext., 1/4", Zinc	
410	AX-19735	Assembly, extended handrail, Left	
411	AX-19758	Assembly, extended handrail, Right	
413	HS-18127	Bolt, 1/4-20 X 1.25", BHCS, SS, BLK	

©Copyright 1998 - 2009, Cybex International, Inc. All rights reserved.